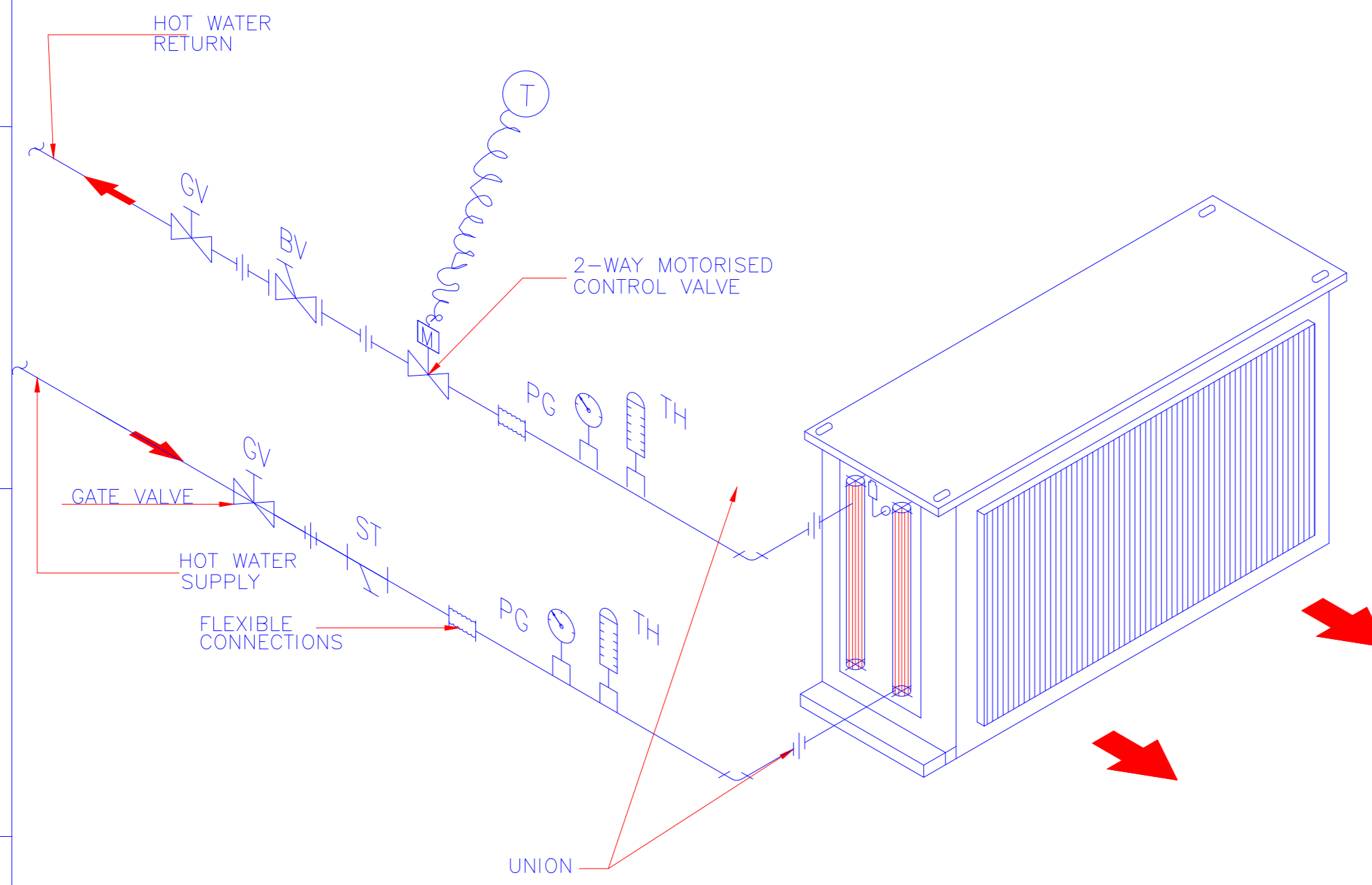
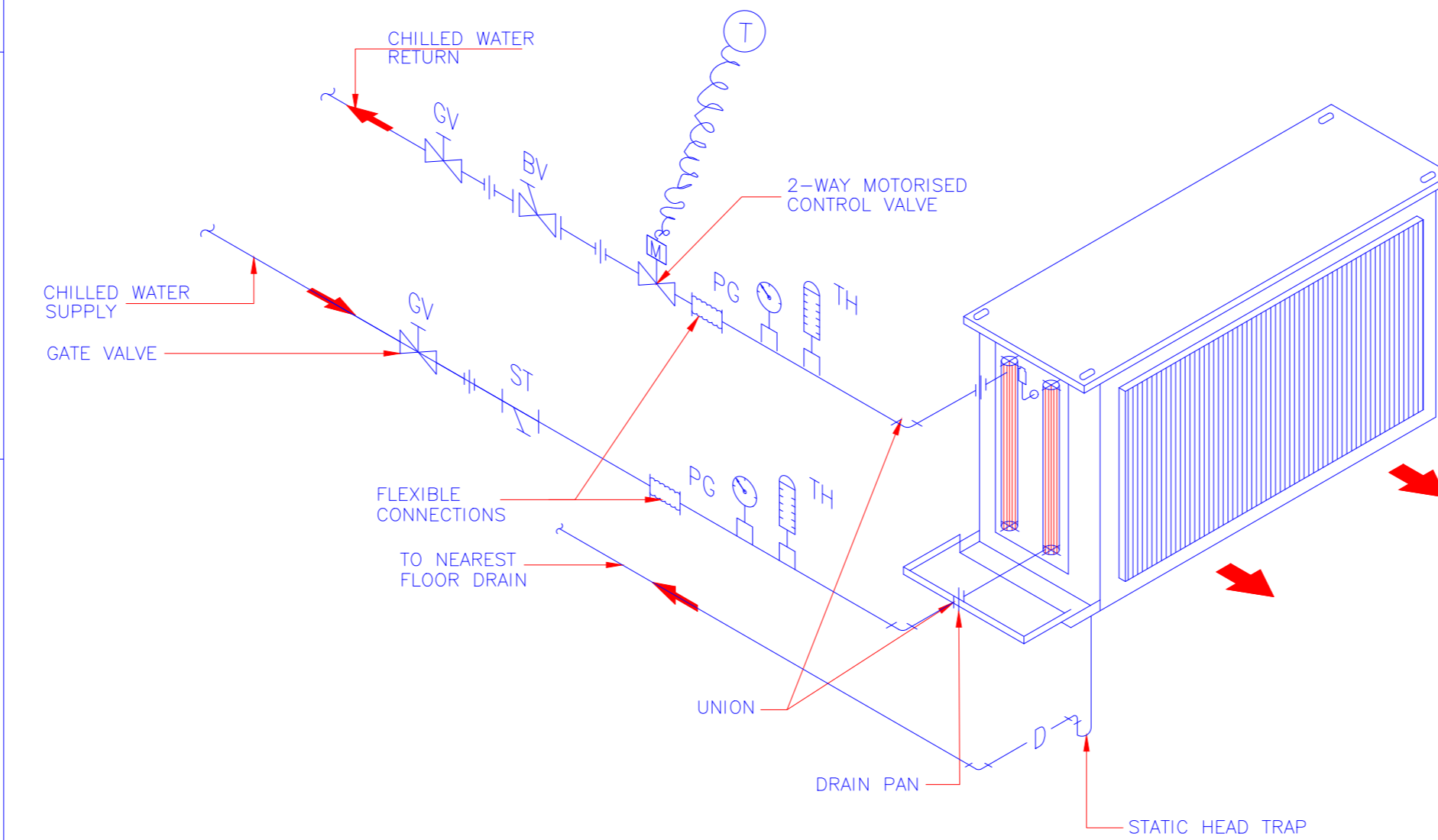


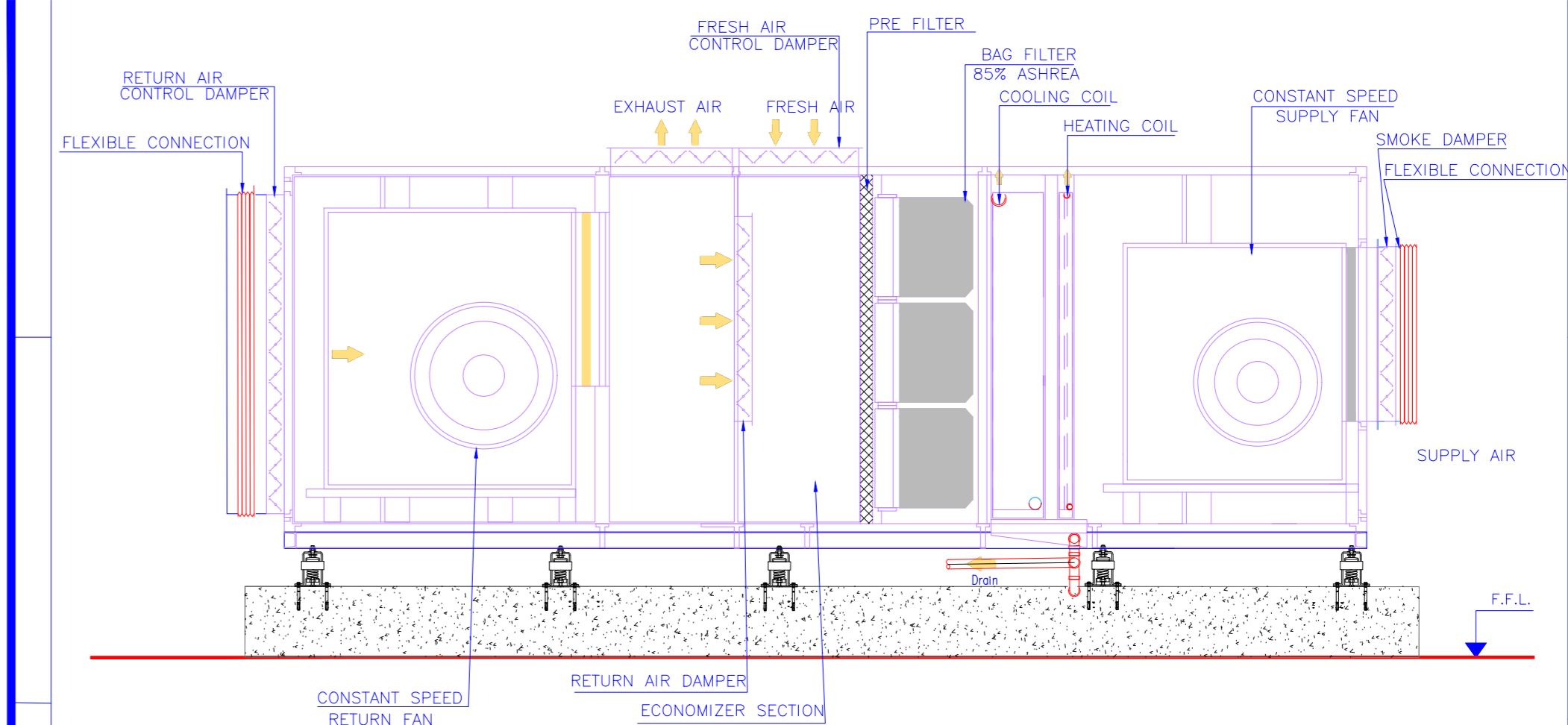
- in door unit (MAC 25)
0.9(W) X 0.8(D) X 0.3(H)
- in door unit (MAC 45)
1.1(W) X 0.85(D) X 0.35(H)
- in door unit (MAC 66)
1.404(W) X 0.66(D) X 0.4(H)
- CORRIDOR MACHIN (mac 66)



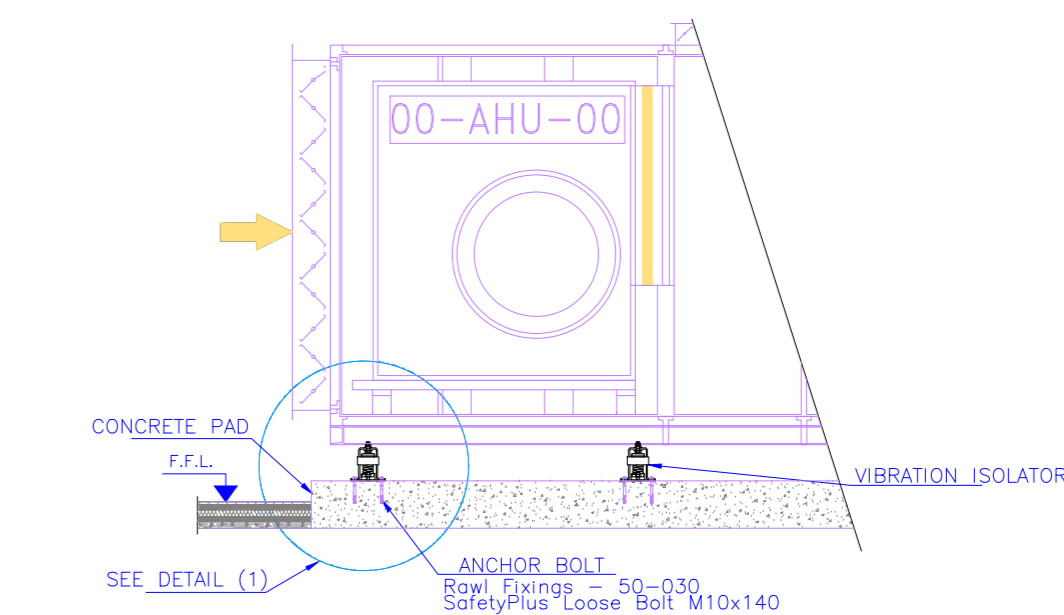
THE NATIONAL COMPANY FOR MECHANICAL & ELECTRICAL WORKS S.A.E. 2 ABD ELRAHMAN BAYAD ST. MOHARRADISSH, GIZA		TYPICAL AIR HANDLING UNIT COIL CONNECTION DETAIL (HOT WATER COIL)		HV-025
DATE:	REV:	11-06	0	
DRAWING NO.:- CW-0000-HVSD-03-SD-00				



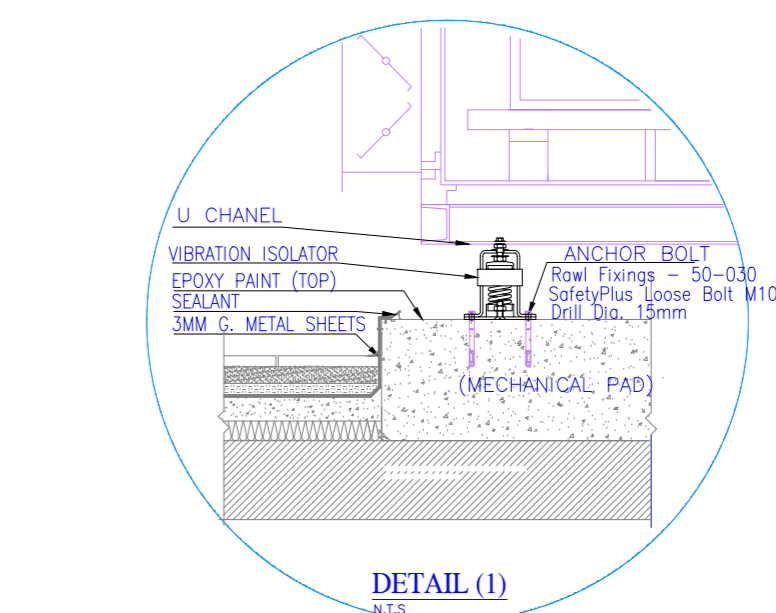
THE NATIONAL COMPANY FOR MECHANICAL & ELECTRICAL WORKS S.A.E. 2 ABD ELRAHMAN BAYAD ST. MOHARRADISSH, GIZA		TYPICAL AIR HANDLING UNIT COIL CONNECTION DETAIL (CHILLED WATER COIL)		HV-024
DATE:	REV:	11-06	0	
DRAWING NO.:- CW-0000-HVSD-03-SD-00				



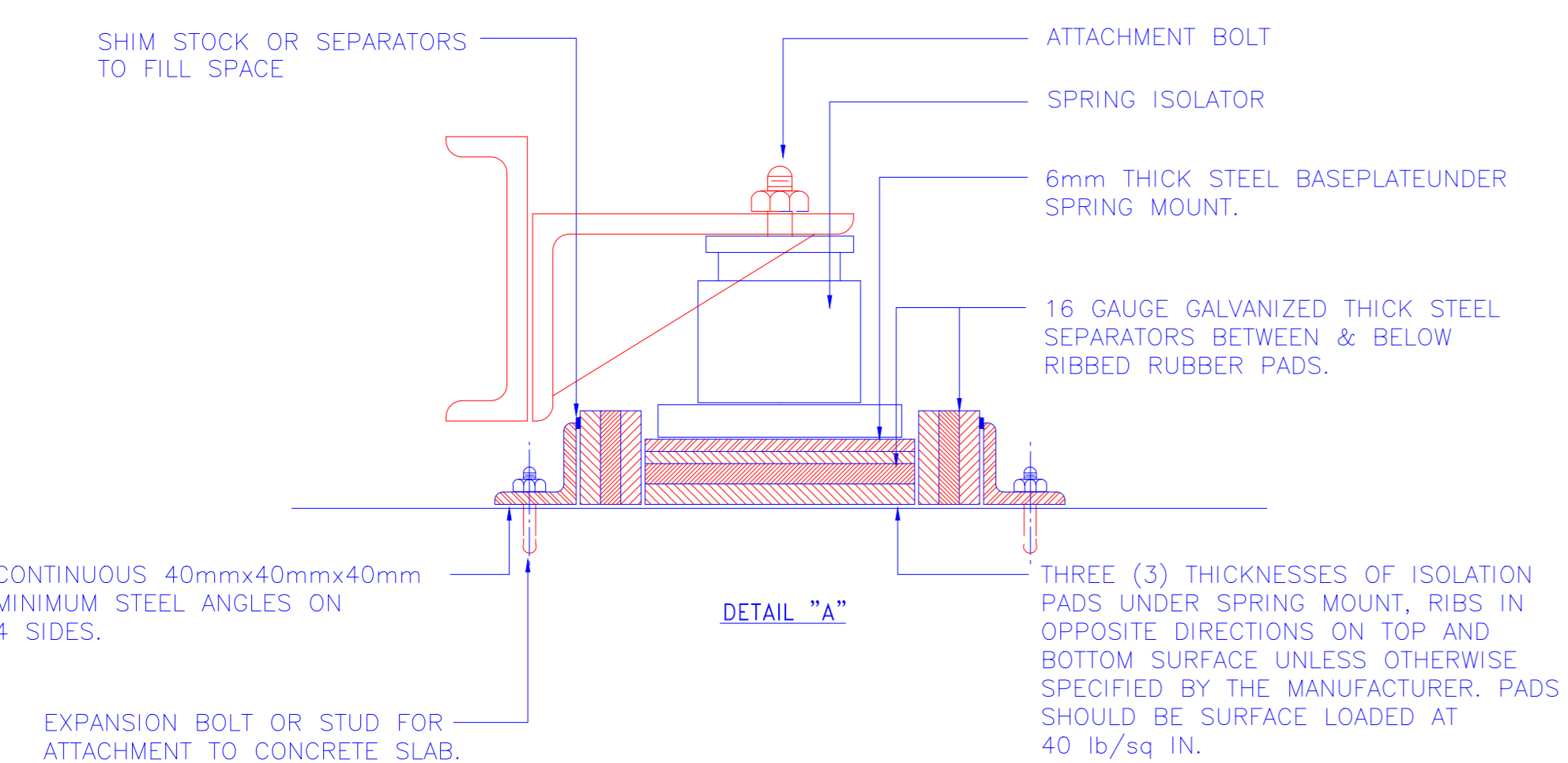
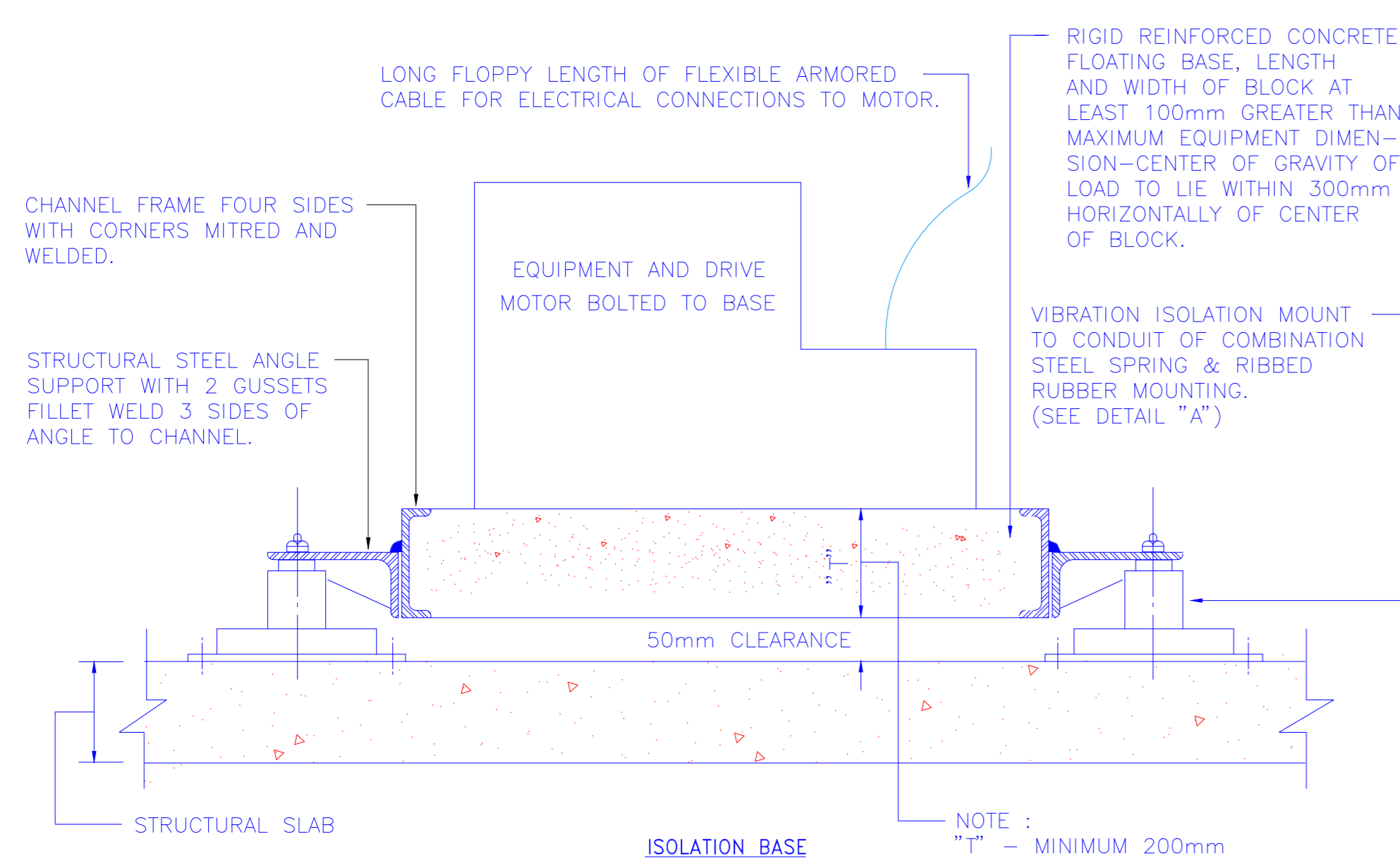
AIR HANDLING UNIT INSTALLATION DETAIL



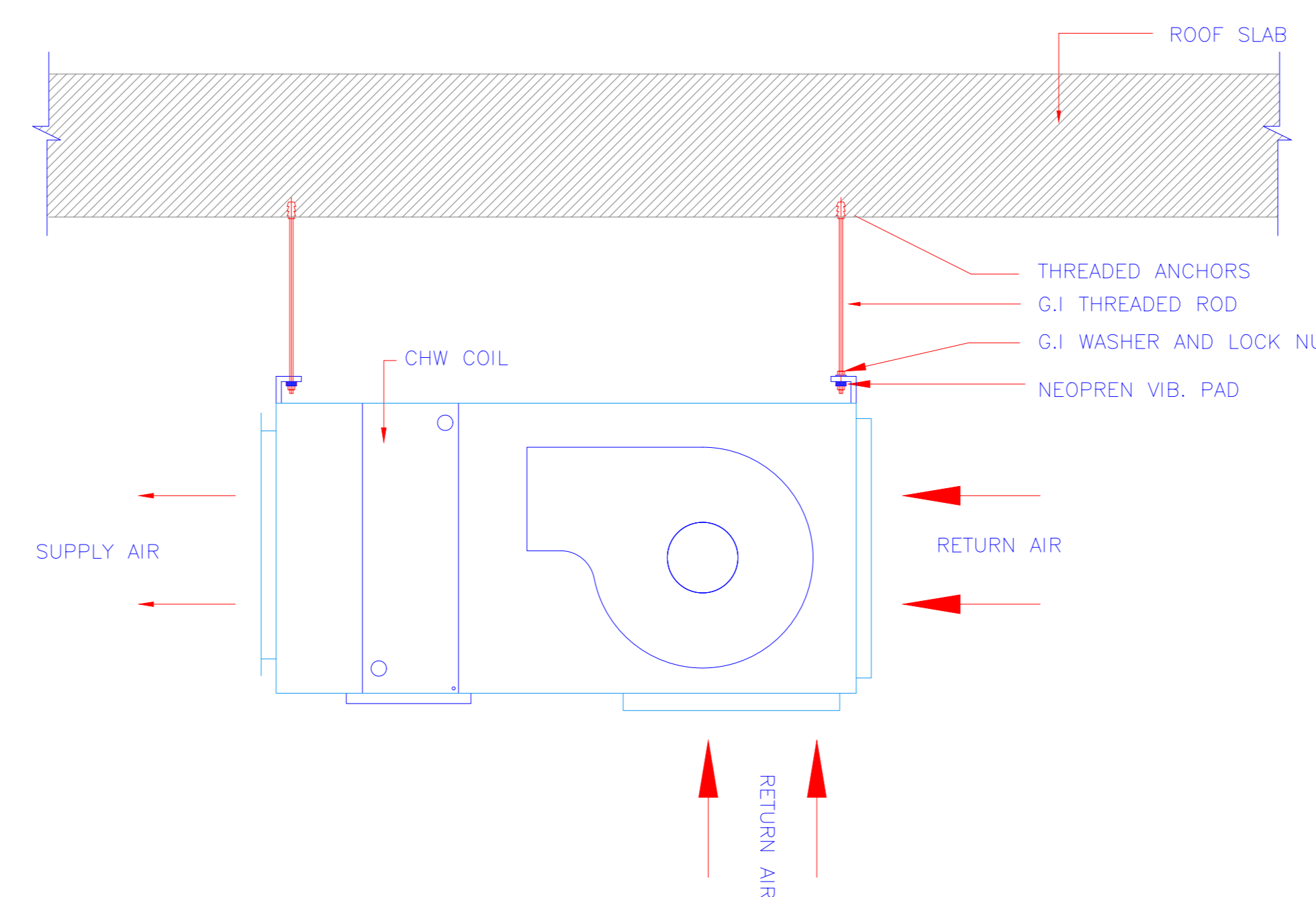
TYPICAL AIR HANDLING UNIT
CONCRETE PAD DETAIL



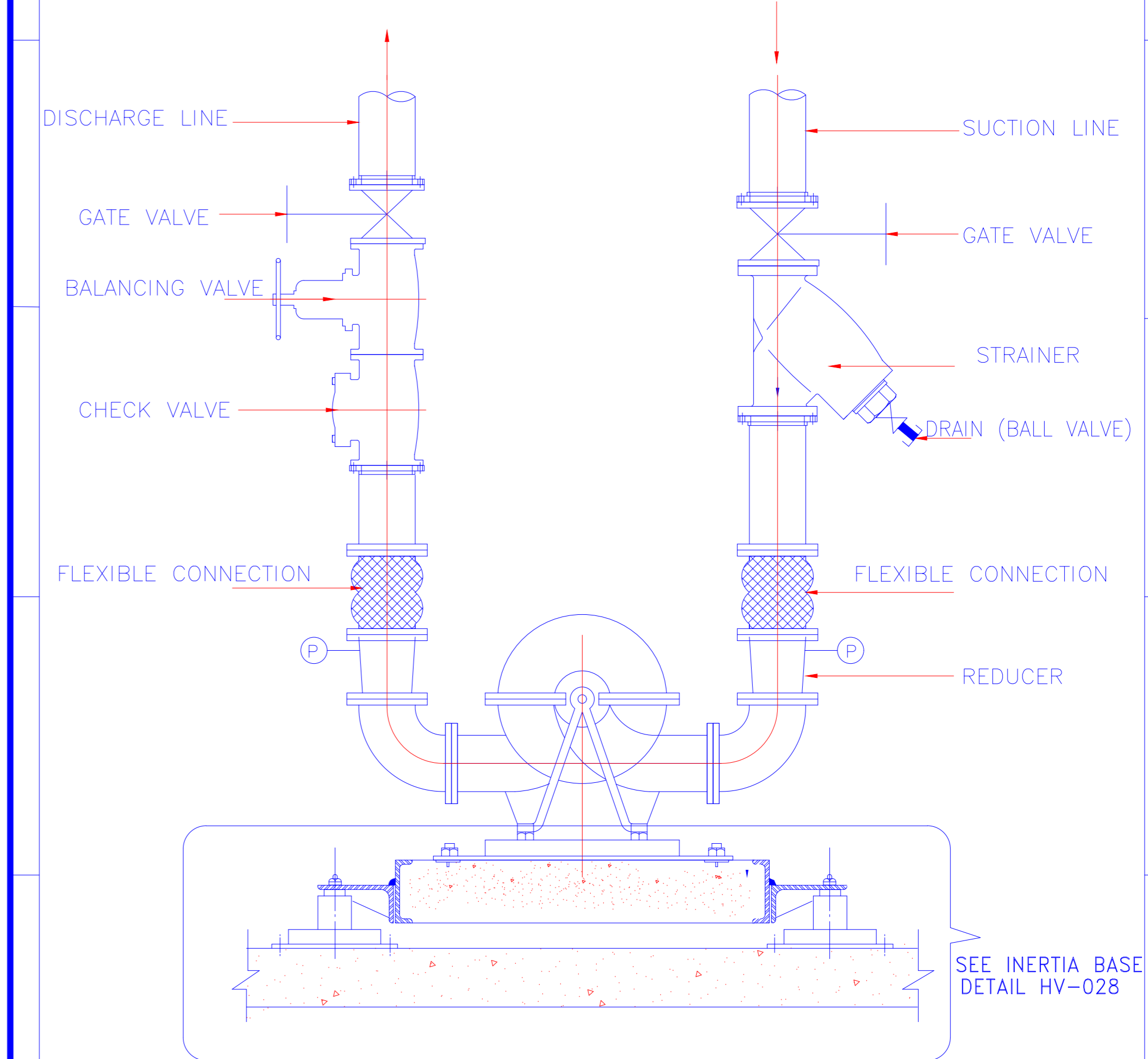
THE NATIONAL COMPANY FOR MECHANICAL & ELECTRICAL WORKS S.A.E. 2 ABD ELRAHMAN BAYAD ST. MOHARRADISSH, GIZA		AIR HANDLING UNIT INSTALLATION DETAIL ON ROOF		HV-029
DATE:	REV:	11-06	0	
DRAWING NO.:- CW-0000-HVSD-03-SD-00				



THE NATIONAL COMPANY FOR MECHANICAL & ELECTRICAL WORKS S.A.E. 2 ABD ELRAHMAN BAYAD ST. MOHARRADISSH, GIZA		INERTIA BASE DETAIL FOR PUMPS (FLOATING TYPE)		HV-028
DATE:	REV:	11-06	0	
DRAWING NO.:- CW-0000-HVSD-03-SD-00				



THE NATIONAL COMPANY FOR MECHANICAL & ELECTRICAL WORKS S.A.E. 2 ABD ELRAHMAN BAYAD ST. MOHARRADISSH, GIZA		FCU INSTALLATION DETAIL		HV-027
DATE:	REV:	11-06	0	
DRAWING NO.:- CW-0000-HVSD-03-SD-00				



THE NATIONAL COMPANY FOR MECHANICAL & ELECTRICAL WORKS S.A.E. 2 ABD ELRAHMAN BAYAD ST. MOHARRADISSH, GIZA		HORIZONTAL SPLIT-CASE PUMP INSTALLATION DETAIL		HV-026
DATE:	REV:	11-06	0	
DRAWING NO.:- CW-0000-HVSD-03-SD-00				

