

8

ZONE CONTROL VALVE WITH  
SUPERVISORY SWITCH  
(MODEL No. GD-4765-8N)  
(MAKE: NIBCO)

PRESSURE GAUGE  
WITH ISOLATION COCK  
(MODEL No. UA-RELIABLE)

TO FIRE ALARM PANEL

WATER FLOW SWITCH  
(MODEL No. WFD SERIES)  
(MAKE: SYSTEM SENSOR)

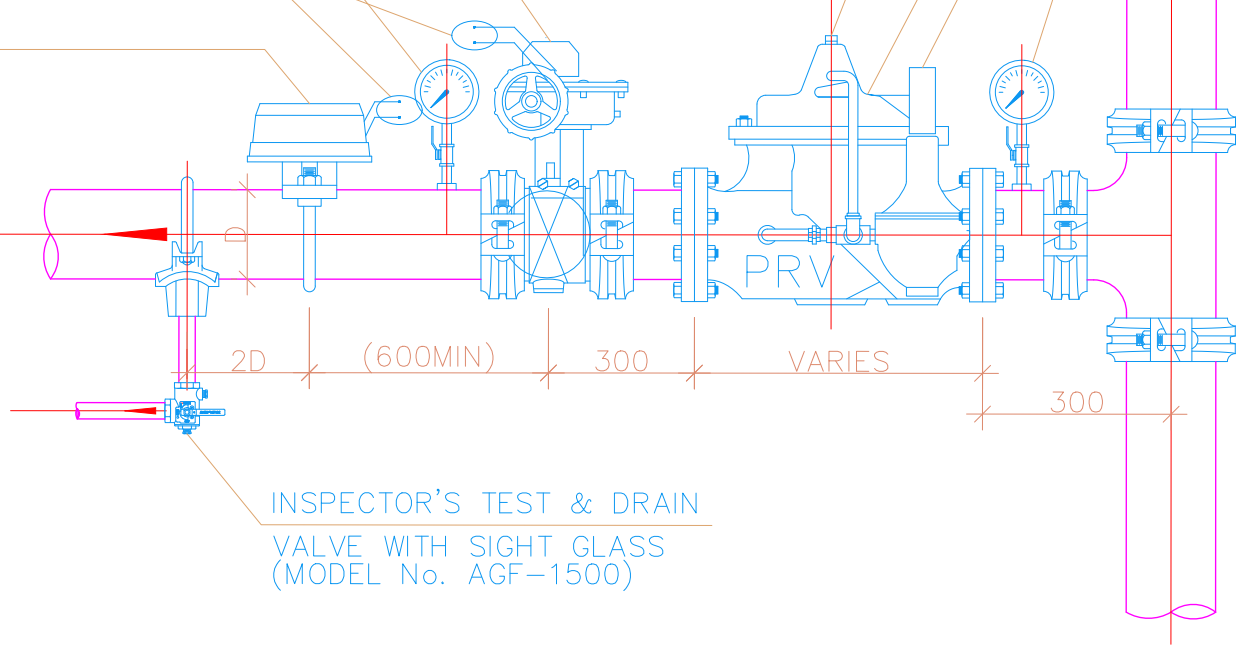
TO SPRINKLER

PRESSURE REDUCING VALVE  
ASSEMBLY(MAKE: WATTS ACV)  
MODEL.No.115F-GLOBE)

TRIM CONNECTIONS

PRESSURE REDUCING  
CONTROL

PRESSURE GAUGE  
WITH ISOLATION COCK



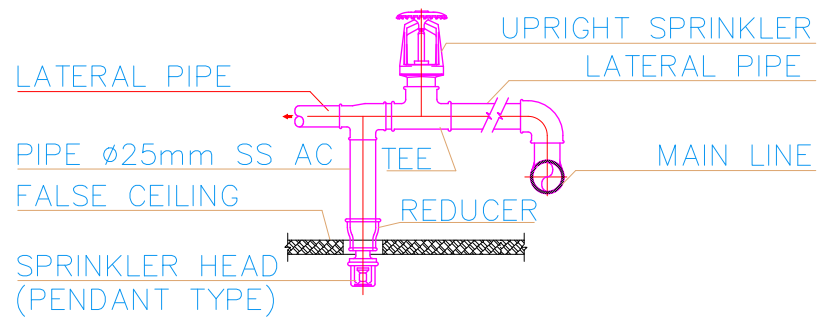
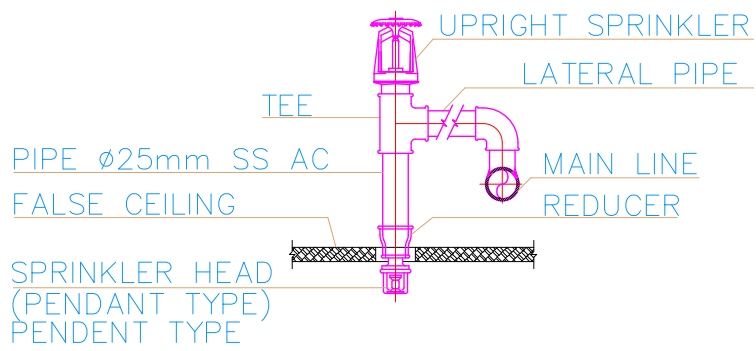
SCALE.:

1: 25

DETAIL NAME.:

ZONE CONTROL VALVE WITH PRV DETAIL (TYPE CU1)

15



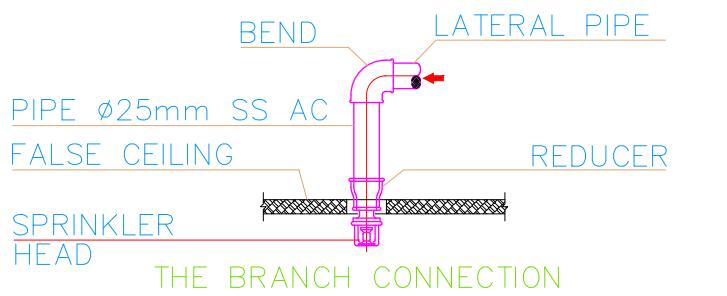
SCALE.:

1:10

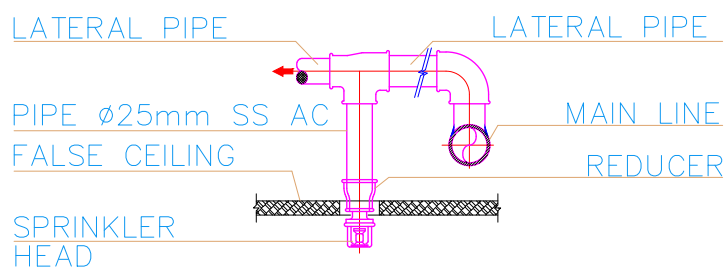
DETAIL NAME.:

ARRANGEMENT OF BRANCH LINES SUPPLYING SPRINKLERS ABOVE AND BELOW CEILING

16



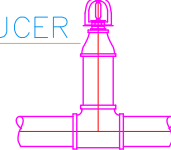
THE BRANCH CONNECTION



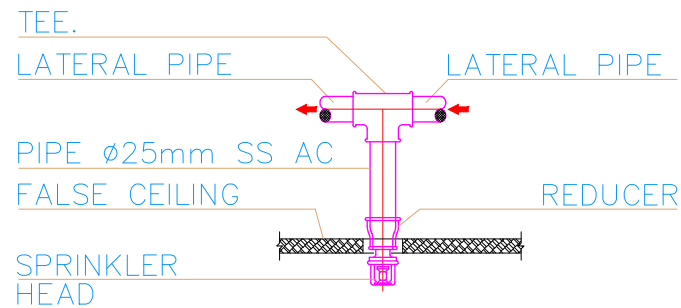
THE BRANCH CONNECTION

DEFLECTOR PLATE

25mmX15mm REDUCER



UPRIGHT SPRINKLER DETAIL.



THE BRANCH CONNECTION

SCALE.:

1:10

DETAIL NAME.:

PENDENT AND UPRIGHT SPRINKLERS BRANCH