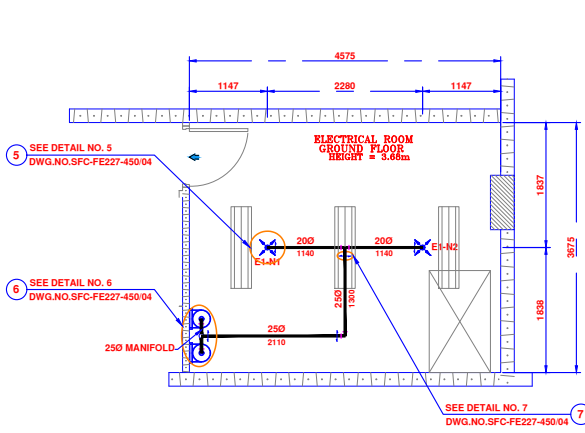
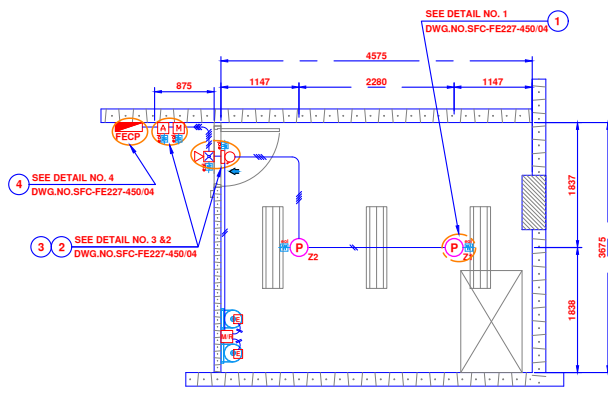


SCALE.:
1:10

DETAIL NAME.:
PREACTION VALVE WITH PRV ASSEMBLY



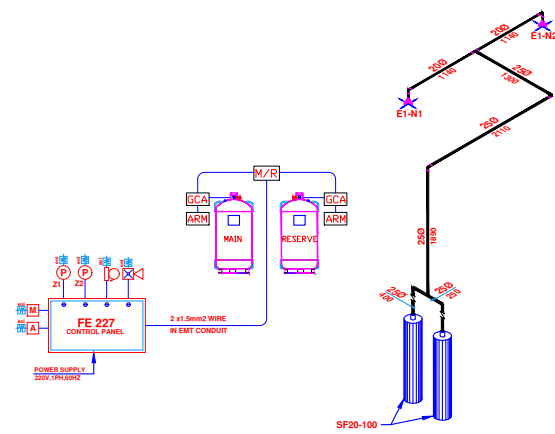
M1 FE-227 PIPING SYSTEM LAYOUT
SCALE: HAZARD AREA : ELEC. ROOM - GROUND FLOOR @ ADMIN. BLDG. 1/4"



E1 FE-227 ALARM & DETECTION SYSTEM LAYOUT
SCALE: HAZARD AREA : ELEC. ROOM - GROUND FLOOR @ ADMIN. BLDG. 1/4"

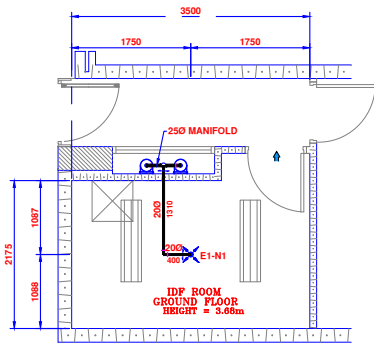
HAZARD AREA : ELEC. ROOM - G.F. @ ADMIN. BLDG.

NOZZLE	TYPE	SIZE (in mm)	NOZZLE AREA (in Sq. mm)	DRILL DIA (in mm)	DRILL SIZE	PART NUMBER
E1-N1	360°	20	120.00	3.5687	28	80-054-1405
E1-N2	360°	20	120.00	3.5687	28	80-054-1405

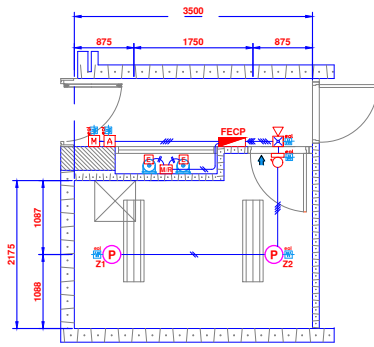


S1 FE-227 ISOMETRIC & SCHEMATIC DIAGRAM
SCALE: HAZARD AREA : ELEC. ROOM - GROUND FLOOR @ ADMIN. BLDG. NTS

- LEGENDS :-**
- FE-227 CYLINDER
 - FE-227 DISCHARGE NOZZLE, 360°
 - FE-227 DISCHARGE DISTRIBUTION PIPING
 - ELBOW DOWN / ELBOW UP
 - FIRE EXIT
 - FE-227 RELEASING CONTROL PANEL
 - FE-227 MANUAL RELEASE SWITCH
 - FE-227 PHOTO ELECTRIC SMOKE DETECTOR
 - FE-227 ALARM BELL, VIBRATING TYPE, 24VDC
 - FE-227 SYSTEM ABORT SWITCH
 - FE-227 SIREN WITH STROBE
 - MAIN RESERVE SWITCH
 - ELECTRIC ACTUATOR
 - FIRE ALARM JUNCTION BOX
 - END OF LINE RESISTOR
 - NUMBER OF WIRES IN EMT CONDUIT
- NOTES :-**
1. ALL PIPES SHALL BE BLACK STEEL, SCH40 (FROM 1/2" TO 12")
 2. ASTM A53, ERW TYPE, GRADE A/B
 3. ALL FITTINGS SHALL BE RELIEFABLE IRON, CLASS 300 LBS. UP TO 12".
 4. 1500 LB RATED FORGED STEEL FITTINGS GREATER THAN 12".
 5. ALL PIPES SHALL BE SUPPORTED BY BRACKETS / HANGERS.
 6. ALL EXPOSED CONDUITS SHALL BE ELECTRIC METALLIC TUBING (EMT).
 7. ALL CONDUITS SHALL BE SUPPORTED BY CLAMPS @ SUFFICIENT INTERVALS.
 8. ALL DETECTORS SHALL BE MOUNTED ON A 4" METAL OCTAGONAL BOX.
 9. SIZE OF WIRE/CABLES: DETECTORS / MANUAL STATION / ABORT SWITCH / ACTUATORS 1.5mm²
 10. FIRE ALARM BELL / SIREN WITH STROBE 2.5mm²
 11. FE-227 ALARM BELL SHALL BE MOUNTED NOT LESS THAN 2.43M FROM THE FINISHED FLOOR LEVEL.
 12. FE-227 MANUAL RELEASE SWITCH SHALL BE MOUNTED NOT LESS THAN 1.43M FROM THE FINISHED FLOOR LEVEL.
 13. FE-227 RELEASING CONTROL PANEL SHALL BE MOUNTED NOT LESS THAN 1.43M FROM THE BOTTOM TO FINISHED FLOOR LEVEL.
 14. ALL DIMENSIONS ARE IN MILLIMETER UNLESS OTHERWISE NOTED.



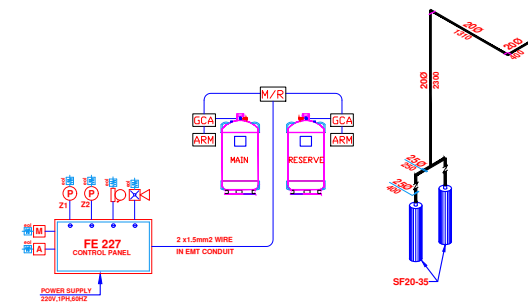
M2 FE-227 PIPING SYSTEM LAYOUT
SCALE: HAZARD AREA : IDF ROOM - GROUND FLOOR @ ADMIN. BLDG. 1/4"



E2 FE-227 ALARM & DETECTION SYSTEM LAYOUT
SCALE: HAZARD AREA : IDF ROOM - GROUND FLOOR @ ADMINISTRATION BLDG. 1/4"

HAZARD AREA : IDF ROOM - G.F. @ ADMIN. BLDG.

NOZZLE	TYPE	SIZE (in mm)	NOZZLE AREA (in Sq. mm)	DRILL DIA (in mm)	DRILL SIZE	PART NUMBER
E1-N1	360°	20	126.06	3.6576	27	80-054-1440



S2 FE-227 ISOMETRIC & SCHEMATIC DIAGRAM
SCALE: HAZARD AREA : IDF ROOM - GROUND FLOOR @ ADMINISTRATION BLDG. NTS

